

Three-phase electronic meter with AMR / AMM interface module with PLC (PRIME) and disconnect relay



Fig. 1 - Interfață trifazată PLC PRIME

GENERALITIES

Assembly which consists of a three-phase meter and an AMR interface module with PLC (PRIME) and disconnect relay is intended for use in residential applications. The three-phase electronic meter is of type CST0420 (direct mounting) manufactured by AEM SA.



Fig. 2 - Ansamblu contor, interfață trifazată PLC PRIME și capac bloc borne

TECHNICAL CHARACTERISTICS

Constructive description for the AMR interface mode

- case made of insulating material, protection class II;
- dimensions: 272x172x77,6 mm (together with the meter);
- Degree of protection: IP51;
- It has spring-cage connectors for connecting the phases of the three-phase electrical network and the phase to earth;
- to collect data from the meter the PLC interface module has an optically isolated CMOS interface according to SR EN 62056-21;
- local communication, reading / programming of the PLC interface module through the optical port of the meter, according to SR EN 62056-21;

Functional description for the AMR interface module

- it has a calendar clock according to SR EN 62052-21, with observance of leap years and automatic switching of daylight saving time / standard time;
- for the calendar clock operation in the absence of the supply voltage, the interface has a Li battery;
- it has a memory for the load profile, 1 channel, programmable period (1 ... 60 minutes), minimum capacity 90 days (/60 minutes);
- the interface has 12 logs of events;

Technical characteristics for the AMR interface module with PLC

- PLC modem communication is CENELEC band A, (external communication);
- the modulation used is of the OFDM type;
- temperature range: -40 ° C ... + 85 ° C



OVERALL DIMENSIONS

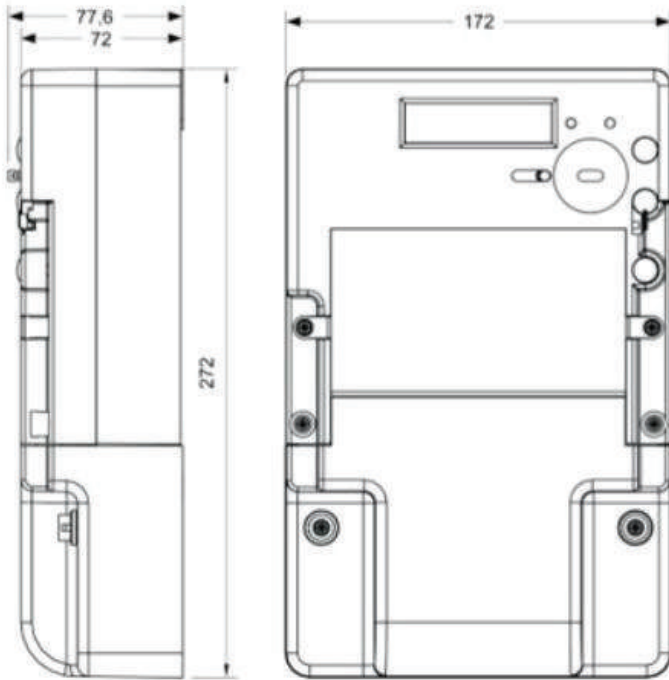


Fig. 3 - Overall dimensions, meter assembly, AMR interface and terminal block cover * (dimensions are expressed in mm)

WIRING DIAGRAM

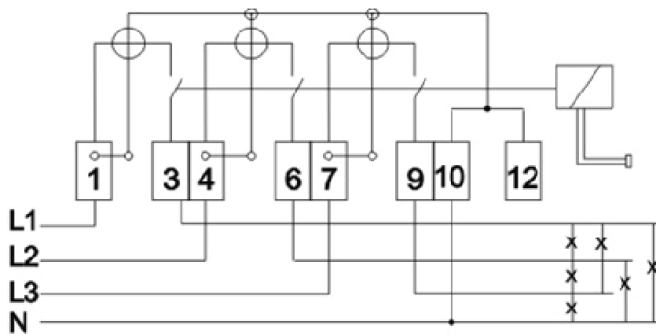


Fig. 4 - Wiring diagram

