

GAS METER TYPE GNM G4 J

FIELD OF OPERATION

GNM G4J gas meters are volumetric, with membrane (with deformable wall measurement cameras) for measuring the volume of combustible gases at a maximum pressure of 0.5 bar and the maximum flow rate of 6 m³/h.



STANDARD

The technical quality requirements comply with:

- EN 1359:1998/A1 :2006- Gas meters - Membrane gas meters
- Directive 2014/32/EC (MID)

CONSTRUCTION

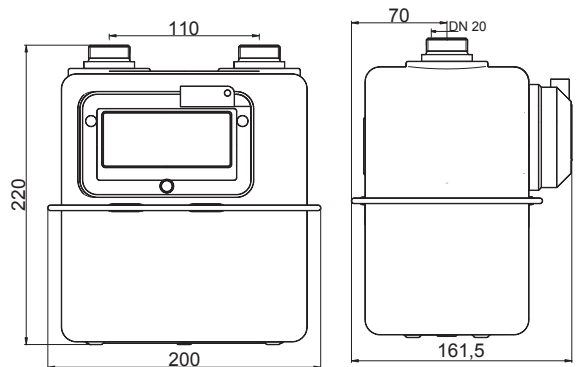
- Pressed steel sheet case
- High temperature resistance
- Electrostatic spray paint with epoxy-polyester powder
- Mechanical roller totalizer
- Prepared for remote reading
- Prevention device for registration at reverse flow

TECHNICAL CHARACTERISTICS

- nominal flow, Q_n [m³/h] : 4
- minimum flow, Q_{min} [m³/h] : 0,04
- maximum flow, Q_{max} [m³/h] : 6
- maximum operating pressure, P_{max} [bar] : 0,5
- nominal cyclic volume [dm³] : 1,2
- maximum reading [m³] : 99999,999
- minimum reading [dm³] : 0,2
- ambient temperature [°C] : -25...+55
- optional reed pulse transmitter [m³/imp]: 0,01
- Class : 1,5
- Mechanical environment: class M1
- Electromagnetic environment: class E1

PULSE TRANSMITTER CHARACTERISTICS

- Maximum switching voltage U_s 24/= V
- Maximum switching current I_s 0,1A
- Contact resistance R_k ...200 mΩ
- Cable 3m



DIMENSIONS AND CONNECTIONS

Overall dimensions (LxIxH) : 200x161.5x220
Connections: two thread connections DN 20, MFIT001
Weight: 2,2 kg

